

EasyFlip™ 1.5mL Micro Centrifuge Tubes

Description

1.5 mL, Flip top cap, Conical bottom, Sterile or Non-sterile

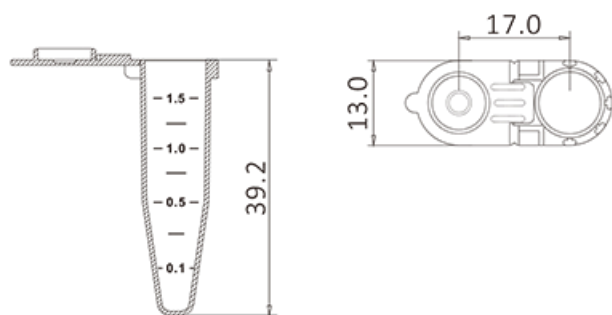
Purpose

Used for sample storage, operation and centrifugation

Materials

Tube: PP (Polypropylene)

Dimensions (Unit: mm)



Features

- Autoclavable at 121°C and freezable to -80°C
- One hand easy flip to open the cap
- Engraved graduation ensure accuracy
- Maximum rotate speed up to 25,000 x g
- Frosted body surface provide easy and legible mark
- DNase/RNase free and Non-pyrogenic
- Sterilized by irradiation SAL10⁻⁶ (ISO11137)
- Shelf Life: 3 years after month of production
- Manufactured in a class 100,000 room environment
- Manufactured under ISO13485 and ISO9001 quality management system

EasyFlip™ 1.5mL Micro Centrifuge Tubes

Cat. No.	Capacity	Tube Color	Bottom Style	Graduation	Sterilization	Packaging Configuration
CFT002015	1.5 mL	Natural	Conical	Yes	No	500/bag/box, 4000/case
CFT003015	1.5 mL	Natural	Conical	Yes	Yes	500/bag/box, 4000/case