

Micro Centrifuge Tubes

Description

Micro Centrifuge Tube, Locking Lid, Conical bottom, Sterile or Non-sterile

Purpose

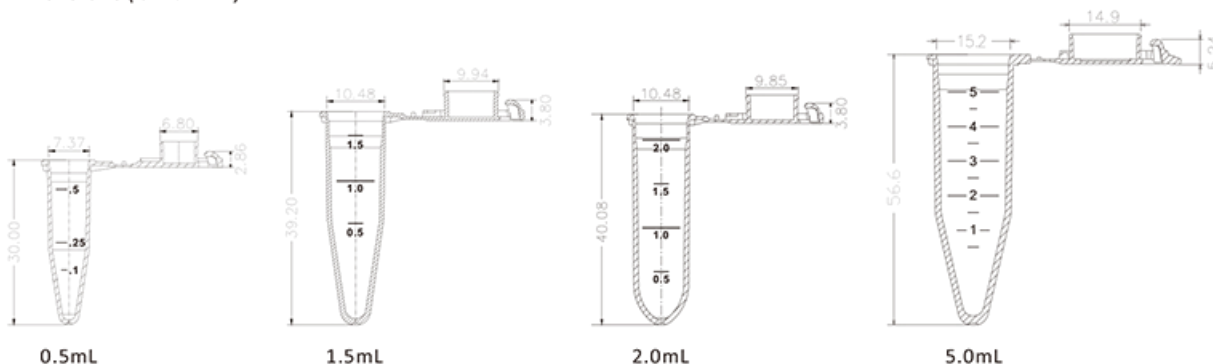
Used for sample storage, operation and centrifugation

Materials

Tube: PP (Polypropylene)



Dimensions (Unit: mm)



Features

- Available with 4 volumes of 0.5 mL, 1.5 mL, 2.0 mL and 5.0 mL
- Autoclavable at 121°C and freezable to -80°C
- Engraved graduation ensure accuracy
- Maximum rotate speed up to 25,000 x g
- Flat and frost caps surface together with smooth and frosted body surface
- DNase/RNase free and Non-pyrogenic
- Sterilized by irradiation SAL10⁻⁶ (ISO11137)
- Shelf Life: 3 years after month of production
- Manufactured in a class 100,000 room environment
- Manufactured under ISO13485 and ISO9001 quality management system



Micro Centrifuge Tubes

Cat. No.	Capacity	Tube Color	Bottom Style	Graduation	Sterilization	Packaging Configuration
CFT010005	0.5 mL	Natural	Conical	Yes	No	1000/bag/box, 8000/case
CFT011005	0.5 mL	Natural	Conical	Yes	Yes	1000/bag/box, 8000/case
CFT010015	1.5 mL	Natural	Conical	Yes	No	500/bag/box, 4000/case
CFT011015	1.5 mL	Natural	Conical	Yes	Yes	500/bag/box, 4000/case
CFT020015	1.5mL	Brown	Conical	Yes	No	500/bag/box, 4000/case
CFT021015	1.5 mL	Brown	Conical	Yes	Yes	500/bag/box, 4000/case

Micro Centrifuge Tubes

Cat. No.	Capacity	Tube Color	Bottom Style	Graduation	Sterilization	Packaging Configuration
CFT010020	2.0 mL	Natural	Conical	Yes	No	500/bag/box, 4000/case
CFT011020	2.0 mL	Natural	Conical	Yes	Yes	500/bag/box, 4000/case
CFT122050	5.0 mL	Natural	Conical	Yes	No	200/bag, 4000/case
CFT322050	5.0 mL	Natural	Conical	Yes	Yes	200/bag, 4000/case
CFT123050	5.0mL	Blue	Conical	Yes	No	200/bag, 4000/case
CFT323050	5.0 mL	Blue	Conical	Yes	Yes	200/bag, 4000/case
CFT124050	5.0mL	Yellow	Conical	Yes	No	200/bag, 4000/case
CFT324050	5.0 mL	Yellow	Conical	Yes	Yes	200/bag, 4000/case
CFT125050	5.0mL	Green	Conical	Yes	No	200/bag, 4000/case
CFT325050	5.0 mL	Green	Conical	Yes	Yes	200/bag, 4000/case
CFT126050	5.0mL	Rose red	Conical	Yes	No	200/bag, 4000/case
CFT326050	5.0 mL	Rose red	Conical	Yes	Yes	200/bag, 4000/case
CFT127050	5.0mL	Black	Conical	Yes	No	200/bag, 4000/case
CFT327050	5.0 mL	Black	Conical	Yes	Yes	200/bag, 4000/case